

# 5.1

## GHG 26 / EXKO 2.. Ex-Safety Switches

Rated current from 10 A - 630 A

### Safety for your protection

CEAG safety switches can be protected against inadvertent switching on by our integrated locking facility for up to three padlocks in the OFF position. To prevent manipulations, the enclosure covers cannot be opened in the locked position without destroying the enclosure itself.

### Full AC-3 switching capacity

All CEAG safety switches feature full AC-3 motor switching capacities and isolating properties according to EN 60947-4-1 with compulsory opening of the main current contacts; optional EMERGENCY STOP versions according to EN 60204-1 are also available. An additional lagging/leading auxiliary contacts (option) guarantee double safety for extreme switching conditions.

### Installation-friendly design

The safety switches feature an installation-friendly design and easily accessible connection terminals.

Versions in impact-resistant polyamide or glass-fibre-reinforced polyester enclosures provide the high degree of protection IP66 for safety switches up to 180 A. These can be optionally supplied with snap-on moulded plastic or brass flanges. Safety switches for amperages up to 630 A are supplied in metal enclosures. These can be equipped with screw-on flanges.

### Explosion Group IIB

The described safety switches at the sizes 210- 630 A are also available for Explosion Group IIB, which is sufficient for many of the applications.

### Enclosed Switch-Disconnectors to provide isolation during repair and maintenance.

GHG 26 switches (10-160 A) and GHG 981 switches (25- 80 A) are now confirmed to comply with the new standard IEC 62626-1, requirements Class 1.

The new standard IEC 62626-1 defines the requirements for safety switches (switch-disconnectors) that are used to provide isolation of equipment during repair and maintenance. These requirements go above and beyond those of IEC 60947-3, where no standard previously existed.

The standard divides products into two classifications:

- Class 0 for general use and
- Class 1 for harsh and rough/heavy duty conditions.

All products installed in ATEX/IECEx hazardous areas should be rated for Class 1. Class 1 requirements include minimum ratings for mechanical strength, IP protection, tamper resistance, heat/vibration/corrosion resistance, switching capacity, and locking capability.



### Features

- Full AC-3 switching capacity
- Double safety: additional auxiliary contact
- Cost-saving installation up to 180 A
- Snap-on mounting up to 40 A
- IP66 protection up to 180 A



3-pole EMERGENCY STOP



3-pole

Technical data

Ex-safety switches 10 A

Marking accd. to 2014/34/EU	Ⓔ II 2 G Ex eb db IIC T6 Gb / Ⓔ II 2 D Ex tb IIIC T80°C Db	
EC-Type Examination Certificate	BVS 16 ATEX E 079	
IECEX Certificate of Conformity	IECEX BVS 16.0045	
Marking accd. to IECEx	Ex eb db IIC T6 Gb / Ex tb IIIC T80°C Db	
Permissible ambient temperature	-20 °C up to +40 °C <sup>1)</sup>	
Rated voltage	up to max. 500 V	
Rated current	max. 10 A	
Frequency	50/60 Hz	
Rated making-/ breaking capacity AC-3 accd. EN 60947-3	U <sub>e</sub> 230 V / I <sub>e</sub> 10 A U <sub>e</sub> 400 V / I <sub>e</sub> 10 A U <sub>e</sub> 500 V / I <sub>e</sub> 10 A	
Switch-disconnector for maintenance accd. to IEC 62262-1	Class 1	
Back-up fuse	up to 400 V AC: 20 A gG up to 500 V AC: 16 A gG	
Connecting terminals	main contact	2 x 1.5 - 2.5 mm <sup>2</sup>
	auxiliary-/Signal contact	2 x 0.5 - 2.5 mm <sup>2</sup> (option)
Degree of protection accd. to EN 60529	IP66	
Protection class	I	
Cable glands/enclosure drilling	M20 cable gland see ordering details M25 cable gland see ordering details	
Weight	0.55 kg	
Enclosure material	impact resistant polyamide	
Enclosure colour	black	
Auxiliary contact (option)	1 x NO making - lagging; breaking - leading	
Padlocking facility	can be locked in OFF position with 3 commercially available padlocks (Ø max. 6 mm)	

<sup>1)</sup> Other ambient temperatures on request

## GHG 261 - Ex-safety switches 10 A



3-pole



3-pole EMERGENCY STOP

### Ordering details

5

Content	Cable gland	Auxiliary contact	Order No.
<b>Safety switch 10 A 3-pole</b>			
3-pole	2 x M25 / 1 x M20	1 NO	<b>GHG 261 0005 R0009</b>
3-pole	2 x M25	none	<b>GHG 261 0007 R0001</b>
3-pole	2 x M20	1 NO	<b>GHG 261 0005 R0005</b>
3-pole EMERGENCY STOP	2 x M25 / 1 x M20	1 NO	<b>GHG 261 0005 R0010</b>
3-pole EMERGENCY STOP	2 x M25	none	<b>GHG 261 0007 R0002</b>

### Safety switch 10 A 3-pole

4-pole	2 x M25	none	<b>GHG 261 0007 R0003</b>
--------	---------	------	---------------------------

Customized version on request, auxiliary contacts in Ex ia available

### Accessories

Type	Application	Fixing method	Order No.
<b>Mounting plate for Ex-safety switches 10 A 3-pole</b>			
Size 1	Wall mounting	screwless mounting	<b>GHG 610 1953 R0101</b>
Size 1	Pipe clamp	screwless mounting	<b>GHG 610 1953 R0102</b>
Size 1	Trellis-work mounting	screwless mounting	<b>GHG 610 1953 R0103</b>

Type	OU	Order No.
------	----	-----------

### Accessories for mounting plates

Label holder with type label (blank) for mounting plate size 1, 2, 2A and 3	10	<b>GHG 610 1953 R0057</b>
Mounting set for pipes 1" (of 27 - 30 mm) for mounting plates with pipe fixing	10	<b>GHG 610 1953 R0020</b>

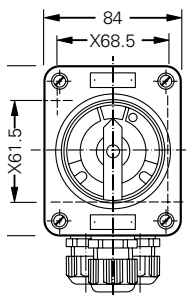
Type	Application	OU	Order No.
------	-------------	----	-----------

### Canopies for mounting plates

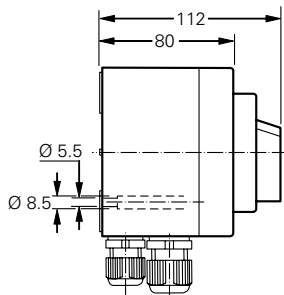
Size 1	for mounting plate size 1	1	<b>GHG 610 1955 R0101</b>
--------	---------------------------	---	---------------------------

Please pay attention that only order units (OU) according to the ordering details can be delivered.

### Dimension drawing



3-pole



X = fixing dimensions

Dimensions in mm



6-pole EMERGENCY STOP



6-pole



3-pole EMERGENCY STOP



3-pole

Technical data

Ex-safety switches 20 A

Marking accd. to 2014/34/EU	Ⓔ II 2 G Ex ed ia IIC T6 / Ⓔ II 2 D Ex tD A21 IP66 T80 °C	
EC-Type Examination Certificate	PTB 99 ATEX 1161	
IECEX Certificate of Conformity	BK1 07.0012	
Marking accd. to IECEx	Ex ed ia IIC T6 Ex tD A21 IP66 T55 °C	
Permissible ambient temperature	-20 °C up to +40 °C <sup>1)</sup>	
Rated voltage	up to max. 690 V	
Rated current	max. 20 A	
Frequency	50/60 Hz	
Rated making-/rated breaking capacity AC-3 accd. EN 60947-3	U <sub>e</sub> 230 V / I <sub>e</sub> 20 A U <sub>e</sub> 400 V / I <sub>e</sub> 20 A U <sub>e</sub> 500 V / I <sub>e</sub> 16 A U <sub>e</sub> 690 V / I <sub>e</sub> 10 A	
Rated making-/ breaking capacity DC 1/DC 23 accd. EN 60947-3	U <sub>e</sub> 60 V / I <sub>e</sub> 20 A (1 contact) U <sub>e</sub> 120 V / I <sub>e</sub> 20 A (2 contacts in series)	
Rated making-/ breaking capacity DC-13 (L/R = 100 ms) accd. EN 60947-3	U <sub>e</sub> 60 V / I <sub>e</sub> 6 A	
Switch-disconnector for maintenance accd. to IEC 62262-1	Class 1	
Back-up fuse	up to 400 V AC: 35 A gG up to 500 V AC: 35 A gG up to 690 V AC: 25 A gG	
Connecting terminals	main contact	max. 2 x 4 mm <sup>2</sup> (stranded wire or fine wire) / max. 6 mm <sup>2</sup> (pin cable lug)
	auxiliary-/Signal contact	2 x 0.5 - 2.5 mm <sup>2</sup> (option)
Protection class	I	
Degree of protection accd. to EN 60529	IP66	
Cable glands/enclosure drilling	M20 cable gland see ordering details M25 cable gland see ordering details M32 cable gland see ordering details Option: metal flange with thread	
Weight	3-pole	approx. 1.48 kg
	6-pole	approx. 2.43 kg
Enclosure material	glass-fibre reinforced polyester	
Enclosure colour	black	
Auxiliary contact (option)	1 x NO making - lagging; breaking - leading 1 x NC (only 6-pole version) making - leading; breaking - lagging	
Padlocking facility	can be locked in OFF position with 3 commercially available padlocks (Ø max. 6 mm)	

<sup>1)</sup> Other ambient temperatures on request

## GHG 262 - Ex-safety switches 20 A



3-pole



3-pole EMERGENCY STOP



6-pole



6-pole EMERGENCY STOP

### Ordering details

5

Content	Cable gland	Auxiliary contact	Order No.
<b>Safety switch 20 A 3-pole</b>			
3-pole	2 x M32 / 1 x M25	1 NO	GHG 262 2301 R0001
3-pole	2 x M32	none	GHG 262 2304 R0001
3-pole EMERGENCY STOP	2 x M32 / 1 x M25	1 NO	GHG 262 2301 R0002
3-pole EMERGENCY STOP	2 x M32	none	GHG 262 2304 R0002
<b>Safety switch 20 A 4-pole</b>			
4-pole	2 x M20	1 NO + 1 NC	GHG 262 2301 R0007
4-pole	2 x M32 / 1 x M25	1 NO + 1 NC	GHG 262 2301 R0009
4-pole	2 x M32	none	GHG 262 2304 R0004
4-pole	2 x M20	none	GHG 262 2304 R0003
4-pole EMERGENCY STOP	2 x M32 / 1 x M25	1 NO + 1 NC	GHG 262 2301 R0010
<b>Safety switch 20 A 6-pole</b>			
6-pole	4 x M32 / 1 x M25	1 NO + 1 NC	GHG 262 2601 R0001
6-pole	4 x M25	1 NO + 1 NC	GHG 262 2601 R0005
6-pole EMERGENCY STOP	4 x M32 / 1 x M25	1 NO + 1 NC	GHG 262 2601 R0002

Customized version on request, auxiliary contacts in Ex ia available

### Accessories

Type	Application	Fixing method	Order No.
<b>Mounting plate for Ex-safety switches 20 A 3-pole</b>			
Size 2	Wall mounting	snap on	GHG 610 1953 R0104
Size 2	Pipe clamp	snap on	GHG 610 1953 R0105
Size 2	Trellis-work mounting	snap on	GHG 610 1953 R0106
<b>Mounting plate for Ex-safety switches 20 A 6-pole</b>			
Size 3	Wall mounting	snap on	GHG 610 1953 R0118
Size 3	Pipe clamp	snap on	GHG 610 1953 R0110
Size 3	Trellis-work mounting	snap on	GHG 610 1953 R0118
Type		OU	Order No.
<b>Accessories for mounting plates</b>			
	Label holder with type label (blank) for mounting plate size 1, 2, 2A and 3	10	GHG 610 1953 R0057
	Mounting set for pipes 1" (of 27 - 30 mm) for mounting plates with pipe fixing	10	GHG 610 1953 R0020

Type	Application	OU	Order No.
<b>Canopies</b>			
Size 2	for mounting plate size 2	1	GHG 610 1955 R0102
Size 2A	for mounting plate size 2A	1	GHG 610 1955 R0103
Size 3	for pipe mounting plate size 3 vertical	1	GHG 610 1955 R0104
Size 3A	for mounting plates wall/trellis fixing size 3 vertical	1	GHG 610 1955 R0105
Size 3B	for mounting plates pipe fixing size 3 horizontal	1	GHG 610 1955 R0106

Please pay attention that only order units (OU) according to the ordering details can be delivered.



6-pole EMERGENCY STOP



6-pole

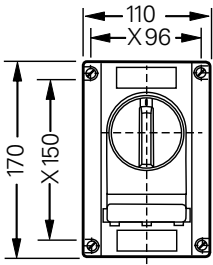


3-pole EMERGENCY STOP

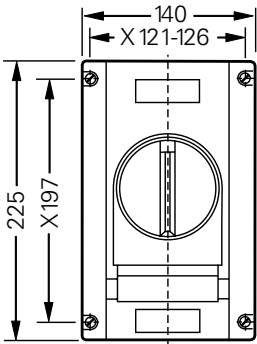
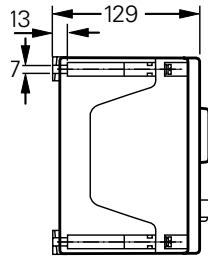


3-pole

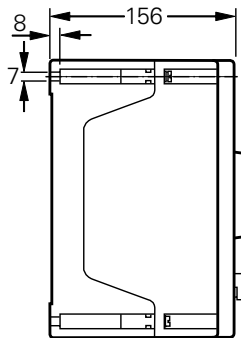
Dimension drawing



3/4-pole



6-pole



X = fixing dimensions

## GHG 263 - Ex-safety switches 40 A



3-pole



3-pole EMERGENCY STOP



6-pole



6-pole EMERGENCY STOP

### Technical data

#### Ex-safety switches 40 A

Marking accd. to 2014/34/EU	Ⓔ II 2 G Ex ed ia IIC T6 / Ⓔ II 2 D Ex tD A21 IP66 T80 °C	
EC-Type Examination Certificate	PTB 99 ATEX 1161	
IECEx Certificate of Conformity	BKI 07.0012	
Marking accd. to IECEx	Ex ed ia IIC T6 Ex tD A21 IP66 T53 °C	
Permissible ambient temperature	-20 °C up to +40 °C <sup>1)</sup>	
Rated voltage	up to max. 690 V	
Rated current	max. 40 A	
Frequency	50/60 Hz	
Rated making/breaking capacity AC-3 accd. EN 60947-3	U <sub>b</sub> 230 V / I <sub>b</sub> 40 A U <sub>b</sub> 400 V / I <sub>b</sub> 40 A U <sub>b</sub> 500 V / I <sub>b</sub> 40 A U <sub>b</sub> 690 V / I <sub>b</sub> 32 A	
Rated making-/ breaking capacity DC 1/DC 23 accd. EN 60947-3	U <sub>b</sub> 60 V / I <sub>b</sub> 40 A (1 contact) U <sub>b</sub> 120 V / I <sub>b</sub> 40 A (2 contacts in series)	
Switch-disconnector for maintenance accd. to IEC 62262-1	Class 1	
Back-up fuse	up to 400 V AC: 80 A gG up to 500 V AC: 80 A gG up to 690 V AC: 63 A gG	
Connecting terminals	main contact	2 x 16 mm <sup>2</sup>
	auxiliary/signal contact	2 x 4 mm <sup>2</sup> (option)
Protection class	I	
Degree of protection accd. to EN 60529	IP66	
Cable glands/enclosure drilling	M25 cable gland see ordering details M40 cable gland see ordering details Option: metal flange with thread	
Weight	3-pole	approx. 2.30 kg
	4-pole	approx. 2.75 kg
	6-pole	approx. 6.50 kg
Enclosure material	glass-fibre reinforced polyester	
Enclosure colour	black	
Auxiliary contact (option)	1 x NO making - lagging; breaking - leading 1 x NC (only 6-pole version) making - leading; breaking - lagging	
Padlocking facility	can be locked in OFF position with 3 commercially available padlocks (Ø max. 6 mm)	

<sup>1)</sup> Other ambient temperatures on request



6-pole EMERGENCY STOP



6-pole



3-pole EMERGENCY STOP



3-pole

Ordering details

Content	Cable gland	Auxiliary contact	Order No.
<b>Safety switch 40 A 3-pole</b>			
3-pole	2 x M40 / 1 x M25	1 NO	GHG 263 2301 R0001
3-pole	2 x M40	none	GHG 263 2303 R0001
3-pole EMERGENCY STOP	2 x M40 / 1 x M25	1 NO	GHG 263 2301 R0002
3-pole EMERGENCY STOP	2 x M40	none	GHG 263 2303 R0002
<b>Safety switch 40 A 4-pole</b>			
4-pole	2 x M25	1 NO + 1 NC	GHG 263 2301 R0007
4-pole	2 x M25	none	GHG 263 2303 R0003
4-pole	2x M40 / 1 x M25	1 NO + 1 NC	GHG 263 2301 R0009
4-pole	2x M40	none	GHG 263 2303 R0004
<b>Safety switch 40 A 6-pole</b>			
6-pole	4 x M40 / 1 x M25	1 NO + 1 NC	GHG 263 0050 R0001
6-pole	4 x M25	1 NO + 1 NC	GHG 263 0050 R0006
6-pole EMERGENCY STOP	4 x M40 / 1 x M25	1 NO + 1 NC	GHG 263 0050 R0002

Customized version on request, auxiliary contacts in Ex ia available

Accessories

Type	Application	Fixing method	Order No.
<b>Mounting plate for Ex-safety switches 40 A 3-pole</b>			
Size 3	Wall mounting	snap on	GHG 610 1953 R0118
Size 3	Pipe clamp	snap on	GHG 610 1953 R0110
Size 3	Trellis-work mounting	snap on	GHG 610 1953 R0118

Type	Application	Fixing method	Order No.
<b>Mounting plate for Ex-safety switches 40 A 6-pole</b>			
Size 3	2 x pipe clamp	screw-on <sup>1)</sup>	GHG 610 1953 R0110

<sup>1)</sup> observe mounting distance

Type	Application	OU	Order No.
<b>Accessories for mounting plates</b>			
Label for label holder and mounting plates size 4 and size 5		10	GHG 610 1953 R0011
Blind plug for mounting plate size 4 and size 5 1 set = 1 pcs.		10	GHG 610 1953 R0134
Plug-in fastener for CEAG modules with 5.5 mm and 11 mm mounting feet 1 set = 4 pcs.		10	GHG 610 1953 R0041
Mounting set for pipes 1" (of 27 - 30 mm) for mounting plates with pipe fixing		10	GHG 610 1953 R0020

Type	Application	OU	Order No.
<b>Canopies</b>			
Size 4	for mounting plate size 4	1	GHG 610 1955 R0107

Please pay attention that only order units (OU) according to the ordering details can be delivered.



**GHG 263 - Ex-safety switches 40 A**



**3-pole**



**3-pole EMERGENCY STOP**



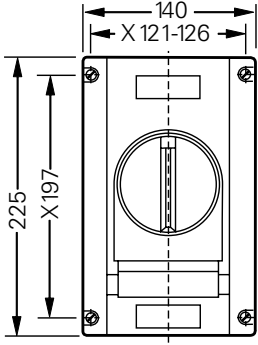
**6-pole**



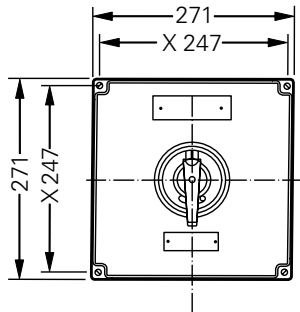
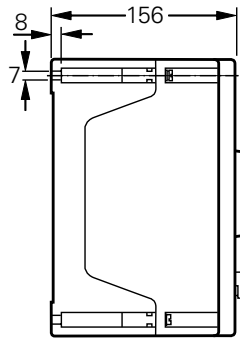
**6-pole EMERGENCY STOP**

**Dimension drawing**

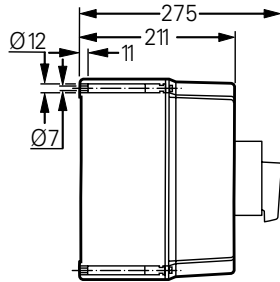
**5**



**3/4-pole**



**6-pole**



**X = fixing dimensions**

Dimensions in mm



6-pole EMERGENCY STOP



6-pole



3/4-pole EMERGENCY STOP



3/4-pole

Technical data

Ex-safety switches 80 A

Marking accd. to 2014/34/EU	Ⓔ II 2 G Ex db e [ia/ib] IIB/IIC T5/T6 Gb / Ⓔ II 2 D Ex tb IIIC T80 °C Db	
EC-Type Examination Certificate	BVS 15 ATEX E 125 X	
IECEx Certificate of Conformity	IECEx BVS 15.0103X	
Marking accd. to IECEx	Ex db e [ia/ib] IIB/IIC T5/T6 Gb Ex tb III C T80°C Db	
Permissible ambient temperature	-20 °C up to +40 °C <sup>1)</sup>	
Rated voltage	up to max. 690 V	
Rated current	max. 80 A	
Frequency	50/60 Hz	
Rated making/breaking capacity AC-3 accd. EN 60947-3	U <sub>e</sub> 230 V / I <sub>e</sub> 80 A U <sub>e</sub> 400 V / I <sub>e</sub> 80 A U <sub>e</sub> 500 V / I <sub>e</sub> 80 A U <sub>e</sub> 690 V / I <sub>e</sub> 63 A	
Rated making-/ breaking capacity DC 1/DC 23 accd. EN 60947-3	U <sub>e</sub> 60 V / I <sub>e</sub> 80 A (1 contact) U <sub>e</sub> 120 V / I <sub>e</sub> 80 A (2 contacts in series)	
Switch-disconnector for maintenance accd. to IEC 62262-1	Class 1	
Back-up fuse	up to 400 V AC: 160 A gG up to 500 V AC: 160 A gG up to 690 V AC: 125 A gG	
Connecting terminals	main contact	2 x 25 mm <sup>2</sup>
	auxiliary/signal contact	2 x 4 mm <sup>2</sup> (option)
Protection class	I	
Degree of protection accd. to EN 60529	IP66	
Cable glands/enclosure drilling	M25 cable gland see ordering details M32 cable gland see ordering details M50 cable gland see ordering details Option: metal flange with thread	
Weight	3/4-pole	approx. 6.5 kg
	6-pole	approx. 9.0 kg
Enclosure material	glass-fibre reinforced polyester	
Enclosure colour	black	
Auxiliary contact (option)	1 x NO making - lagging; breaking - leading 1 x NC making - leading; breaking - lagging	
Padlocking facility	can be locked in OFF position with 3 commercially available padlocks (Ø max. 6 mm)	

<sup>1)</sup> Other ambient temperatures on request

## GHG 264 - Ex-safety switches 80 A



3/4-pole



3/4-pole EMERGENCY STOP



6-pole



6-pole EMERGENCY STOP

### Ordering details

Content	Cable gland	Auxiliary contact	Order No.
<b>Safety switch 80 A 3-pole</b>			
3-pole	2 x M50 / 1 x M25	1 NO + 1 NC	<b>GHG 264 0020 R0001</b>
3-pole	2 x M50	none	<b>GHG 264 0025 R0001</b>
3-pole EMERGENCY STOP	2 x M50 / 1 x M25	1 NO + 1 NC	<b>GHG 264 0020 R0002</b>
3-pole EMERGENCY STOP	2 x M50	none	<b>GHG 264 0025 R0002</b>
<b>Safety switch 80 A 4-pole</b>			
4-pole	2 x M50 / 1 x M25	1 NO + 1 NC	<b>GHG 264 0020 R0012</b>
4-pole	2 x M50	none	<b>GHG 264 0025 R0004</b>
4-pole	2 x M32	1 NO + 1 NC	<b>GHG 264 0020 R0006</b>
4-pole	2 x M32	none	<b>GHG 264 0025 R0003</b>
<b>Safety switch 80 A 6-pole</b>			
6-pole	4 x M50 / 1 x M25	1 NO + 1 NC	<b>GHG 264 0021 R0001</b>
6-pole EMERGENCY STOP	4 x M50 / 1 x M25	1 NO + 1 NC	<b>GHG 264 0021 R0002</b>

Customized version on request, auxiliary contacts in Ex ia available

### Accessories

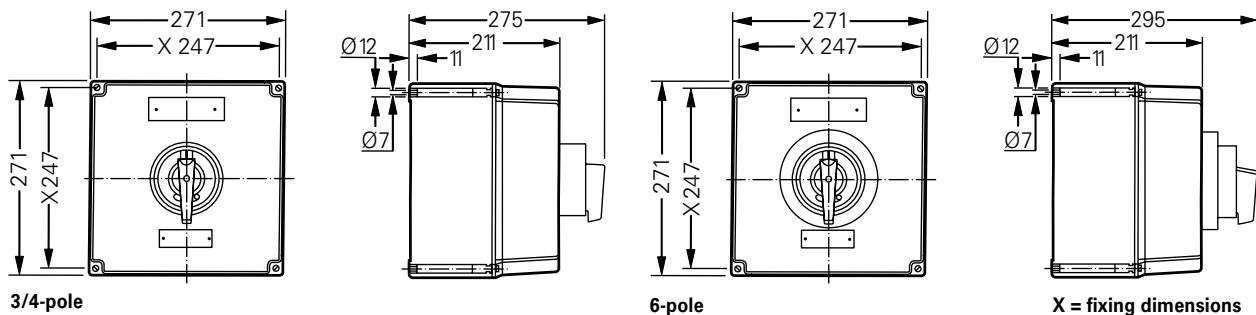
Type	Application	Fixing method	Order No.
<b>Mounting plate for Ex-safety switches 80 A 3/4- and 6-pole</b>			
Size 3	2 x pipe clamp	screw-on <sup>1)</sup>	<b>GHG 610 1953 R0110</b>

<sup>1)</sup> observe mounting distance

Type	OU	Order No.
<b>Accessories for mounting plates</b>		
Type label for label holder and mounting plates size 4 and size 5	10	<b>GHG 610 1953 R0011</b>
Mounting set for pipes 1" (of 27 - 30 mm) for mounting plates with pipe fixing	10	<b>GHG 610 1953 R0020</b>

Please pay attention that only order units (OU) according to the ordering details can be delivered.

### Dimension drawing



Dimensions in mm