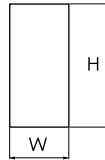


Aperture dimensions

CF 8

Hole dimensions in cabinet:

| | (mm) | (in) |
|---|---------|------------|
| H | 127±0.5 | 5.000±0.02 |
| W | 61±0.5 | 2.402±0.02 |

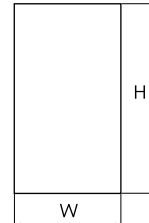


Max wall/cabinet thickness: 4 mm (0.157")

CF 32

Hole dimensions in cabinet:

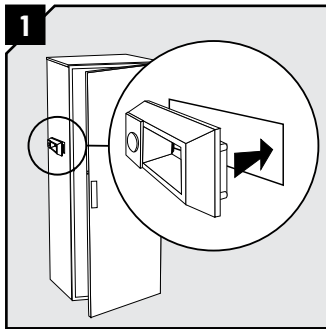
| | (mm) | (in) |
|---|---------|------------|
| H | 216±0.5 | 8.504±0.02 |
| W | 110±0.5 | 4.331±0.02 |



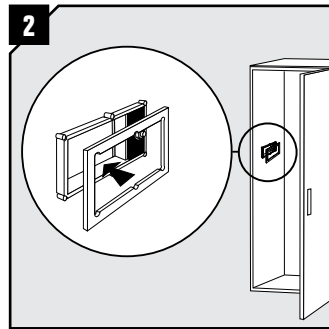
Max wall/cabinet thickness: 4 mm (0.157")

Cut a rectangular opening in the cabinet according to above tables.

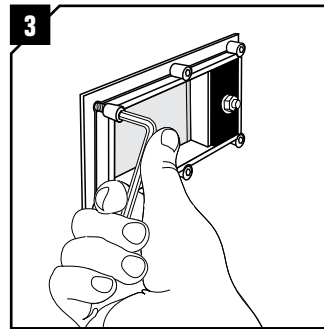
Installation



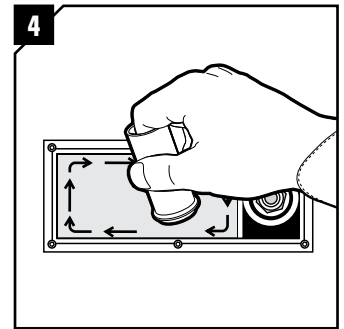
Insert the CF frame from the outside of the cabinet.



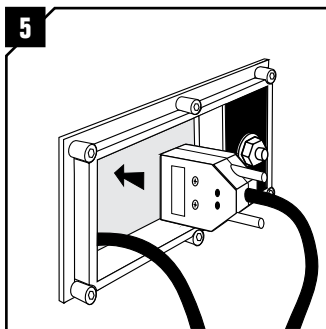
Insert the counter frame from the inside of the cabinet.



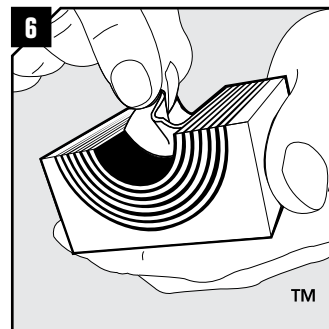
Fasten the hexagon nuts on the backside.



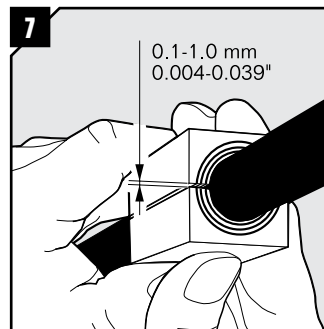
Lubricate the inside surfaces of the frame with Roxtec Lubricant, especially into the corners.



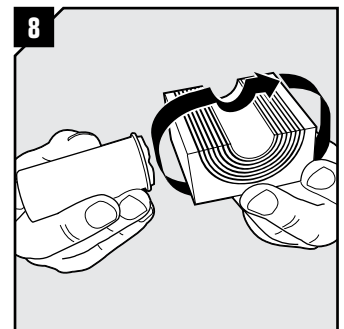
Insert the cables/pipes through the frame.



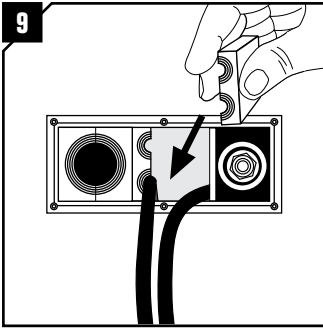
Adapt modules which are to hold cables or pipes by peeling off layers until you reach the gap seen in pic. 7. The halves may not differ by more than one layer.



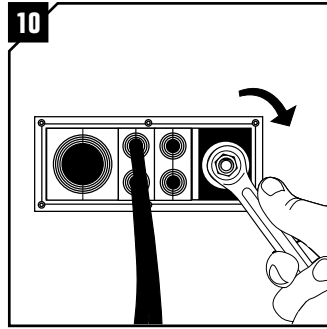
Achieve a 0.1-1.0 mm
0.004-0.039" gap between the two halves when held against the cable/pipe.



Lubricate all modules for the frame thoroughly, both the inside and the outside surfaces.



9
Insert the modules according to your installation plan (transit plan). Start with the largest modules.



10
Tighten the compression unit to seal the frame. Recommended torque 8-12 Nm.

Disassembly

Reverse order

Note

- For optimum reliability, wait 24 hours or longer after installation before exposing the cables/pipes to strain or pressure.
- To be used with: CM components.
- Cables shall go straight through the frame.

DISCLAIMER

"The Roxtec cable entry sealing system ("the Roxtec system") is a modular-based system of sealing products consisting of different components. Each and every one of the components is necessary for the best performance of the Roxtec system. The Roxtec system has been certified to resist a number of different hazards. Any such certification, and the ability of the Roxtec system to resist such hazards, is dependent on all components that are installed as a part of the Roxtec system. Thus, the certification is not valid and does not apply unless all components installed as part of the Roxtec system are manufactured by or under license from Roxtec ("authorized manufacturer"). Roxtec gives no performance guarantee with respect to the Roxtec system, unless (I) all components installed as part of the Roxtec system are manufactured by an authorized manufacturer and (II) the purchaser is in compliance with (a), and (b), below.

(a) During storage, the Roxtec system or part thereof, shall be kept indoors in its original packaging at room temperature.

(b) Installation shall be carried out in accordance with Roxtec installation instructions in effect from time to time.

The product information provided by Roxtec does not release the purchaser of the

Roxtec system, or part thereof, from the obligation to independently determine the suitability of the products for the intended process, installation and/or use. Roxtec gives no guarantee for the Roxtec system or any part thereof and assumes no liability for any loss or damage whatsoever, whether direct, indirect, consequential, loss of profit or otherwise, occurred or caused by the Roxtec systems or installations containing components not manufactured by an authorized manufacturer and/or occurred or caused by the use of the Roxtec system in a manner or for an application other than for which the Roxtec system was designed or intended.

Roxtec expressly excludes any implied warranties of merchantability and fitness for a particular purpose and all other express or implied representations and warranties provided by statute or common law. User determines suitability of the Roxtec system for intended use and assumes all risk and liability in connection therewith. In no event shall Roxtec be liable for indirect, consequential, punitive, special, exemplary or incidental damages or losses."



Roxtec International AB
Box 540, 371 23 Karlskrona, SWEDEN
PHONE +46 455 36 67 00, FAX +46 455 820 12
EMAIL info@roxtec.com, www.roxtec.com