

Explosion-proof, Weatherproof



Introduction

This range of versatile status lights has been designed to suit various offshore and onshore applications.

Available as Xenon, filament and fluorescent beacons/strobes.

The SM87 SL range is manufactured in marine grade alloy and the XB12 SL in corrosion-free GRP to provide a wide range of status lights to suit clients' requirements.

All units can be supplied as 1, 2, 3, 4 or 5 way.

European, Russian and other worldwide approvals are available, refer to main section of catalogue.

Features

- *UL listed for USA and Canada.
Class I, Div. 1 & 2, Groups C & D.
Class I, Zone 1, AExd IIB T6.
- *CSA certified.
- ATEX approved.
- IECEx certified.
- *Xenon, fluorescent, filament.
- NEMA 4x & 6, IP66 & 67.
- Certified temperature: -67°F to +131°F.
-55°C to +55°C.
- *4 Wire monitored connection.
- Marine grade alloy or GRP.
- Close-coupled and pre-wired to customer's requirements.

**Model dependent.*



Certification and Specification

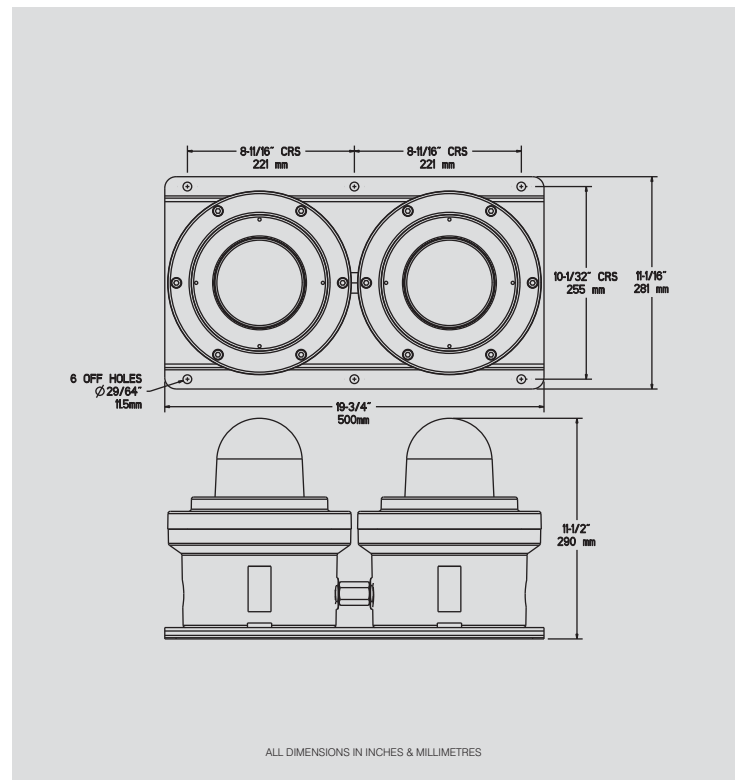
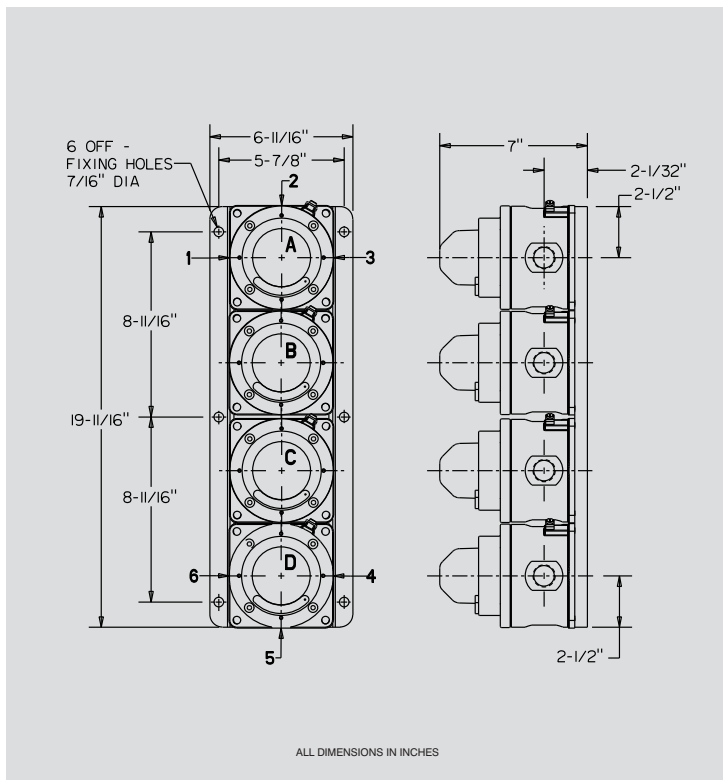
SM87SL

Lamp Types:	Xenon 6 joules maximum. Fluorescent 10W or 5W. Filament 40W maximum.
Certification:	UL Listed for USA and Canada Class I, Div 1, Groups C & D, Class I, Zone 1, AExd IIB T6. Listing No. E187894. CSA Certified: Class 1, Div 1 & 2, Group D. Cert. No. 96406.
Voltage Frequency:	50 Hz as standard. 60 Hz available if required.
Xenon Voltages:	24, 48V d.c. 110, 120, 240, 254V a.c. (see SM87 HXB data sheet for further information).
Filament Voltages:	12, 24, 48V d.c., 110, 220, 240, 254V a.c. (see SM87 LU3 data sheet for further information).
Fluorescent Voltages:	12, 24, 48V, 220, 240, 254V a.c. (see SM87 LU1 data sheet for further information).
Lamp Colours:	Red, Amber, Yellow, Green, Blue or Clear.
Terminals:	Will accept up to 14AWG cable.
Wiring:	Standard configuration of internal wiring is to common the negative/neutral connections. If individually wired lamps are required, please state requirements.
Entries:	Up to 3 x 1/2" or 3/4" NPT.
Enclosure:	LM 25TF Marine Grade Alloy.
Lens:	Glass.
Finish:	Painted to customer's specification.
Ingress Protection:	NEMA 4x and 6, IP66 & 67.
Ambient Temp.	-13°F to 131°F (-25°C to +55°C) – Class I, Div 1. -67°F to +131°F (-55°C to +55°C) – Class I, Zone 1.

XB12SL

Lamp Types:	Xenon 21 joules. Filament 60W.
Certification:	UL Listed for USA and Canada Class I, Div 2, Groups C & D, Class I, Zones 1 & 2, AExd IIB T4/T5. Listing No. E187894.
Voltage Frequency:	50 Hz as standard. 60 Hz available if required.
Xenon Voltages:	24V d.c., 110V, 240V a.c. (see XB12 data sheet for further information).
Filament Voltages:	120V a.c. (see FB12 data sheet for further information).
Fluorescent Voltages:	-
Lamp Colours:	Red, Amber, Yellow, Green, Blue or Clear.
Terminals:	Will accept up to 14AWG cable.
Wiring:	Standard configuration of internal wiring is to common the negative/neutral connections. If individually wired lamps are required, please state requirements.
Entries:	1 x 1/2" NPT.
Enclosure:	GRP.
Lens:	Glass.
Finish:	Painted to customer's specification.
Ingress Protection:	NEMA 4x and 6, IP66 & 67.
Ambient Temp.	-67°F to +158°F (-55°C to +70°C).

Note: XB11 SLUL also available.



Ordering Requirements

Please contact MEDC to discuss your requirements.

All specifications, dimensions, weights and tolerances are nominal (typical) and MEDC reserve the right to vary all data without prior notice. No liability is accepted for any consequence of use.



6DSUS11/H 08/13