

Safety information

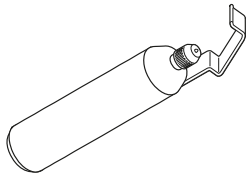
Roxtec recommends that all Installations are performed without facility operation. Follow national regulations and installation codes. Any action affecting the routed service should be performed according to manufacturer recommendations.



Installation instructions cable preparation

Recommended tools

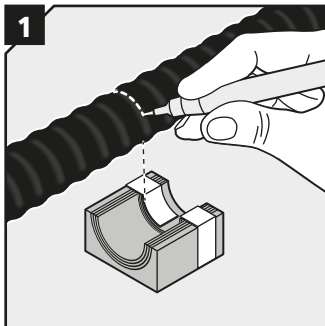
(Not included)



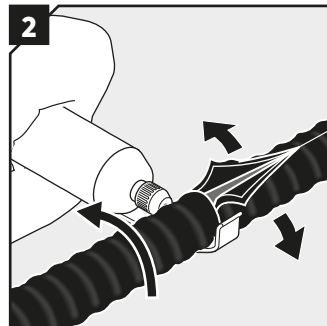
Cable stripper tool.
Recommended by the cable
manufacturer.

Preparation of metal clad and Teck cable

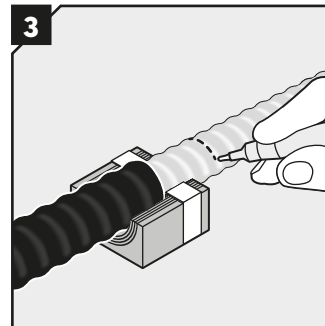
Finishing of interlocked and continuous welded armor.



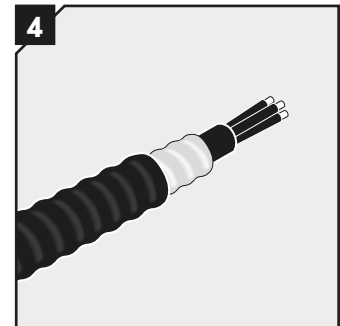
1 On the cable, mark where outer jacket is to be removed.



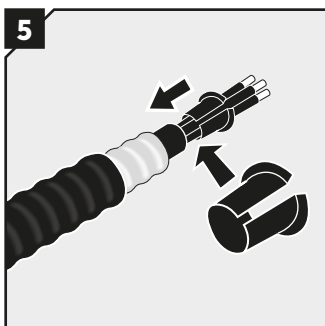
2 Remove the outer jacket with a tool recommended by the cable manufacturer. Make sure not to damage the cable armor. Remove any protection tape or plastics.



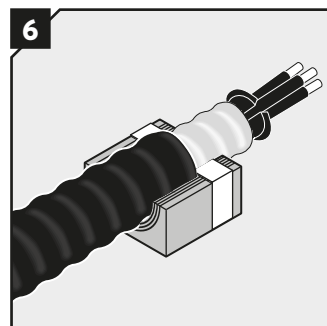
3 On the armor, mark with a pen where the armor is to be cut. The armor shall extend outside the module after installation according to step 6.



4 Cut the cable armor at the mark with a tool recommended by the cable manufacturer. Make sure not to damage the cables.



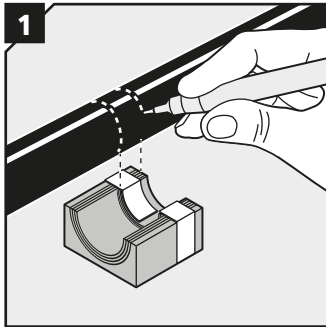
5 When required for inner conductor protection, fit an anti-short bushing or similar at the end cut of the cable armor.



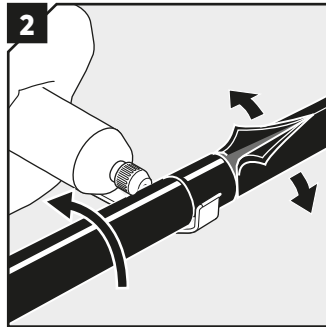
6 Make sure that the armor extends beyond the edge of the module and that the anti-short bushing is in place where applicable.

Preparation of SWA cable alternative 1

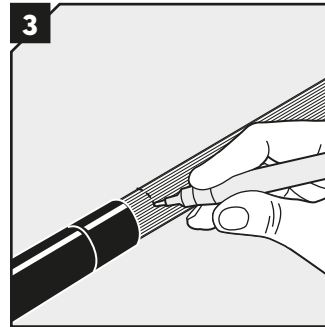
Finishing the end of cable armor with piece of cable jacket.



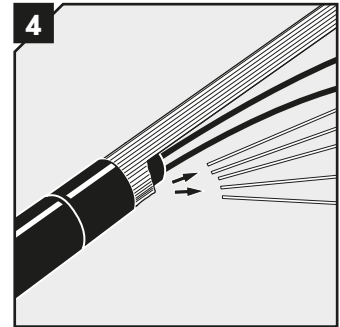
On the cable, make two marks where the outer jacket is to be cut.



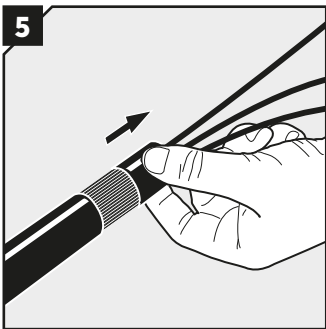
Cut the outer jacket at the two marks with a tool recommended by the cable manufacturer. Make sure not to damage the cable armor. Remove excess jacket.



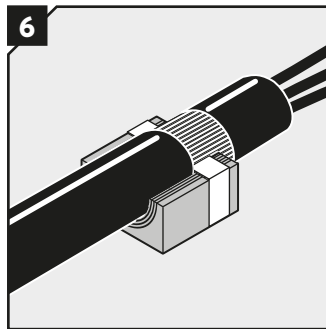
Mark where the armor is to be cut. The remaining armor shall accommodate both the braid of the module and the piece of cable jacket according to step 6.



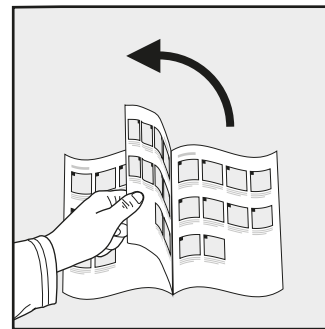
Cut the armor at the mark with a tool recommended by the cable manufacturer. Make sure not to damage the cables.



Pull the piece of cable jacket away to cover the end of the armor. The exposed armor shall accommodate both the braid and the remaining rubber of the module.



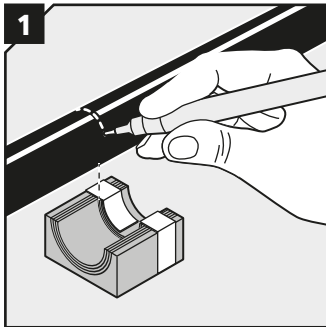
Make sure that the piece of cable jacket is completely outside the module.



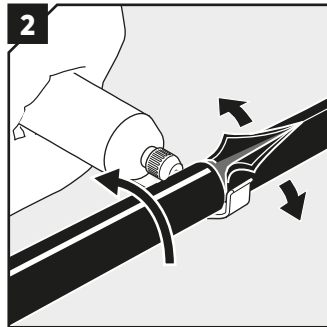
See next page for alternative 2.

Preparation of SWA cable alternative 2

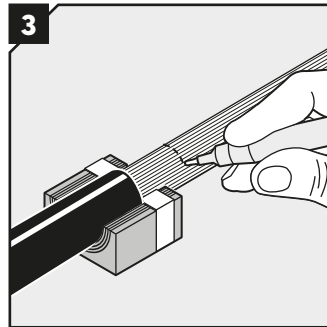
Finishing the end of cable armor with shrink tube or tape.



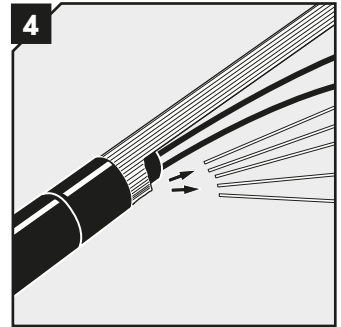
1 On the cable, mark where outer jacket is to be cut.



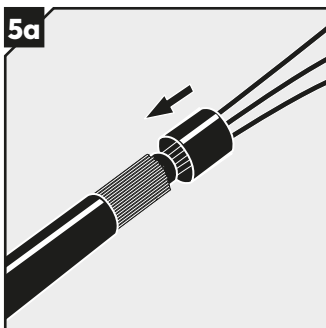
2 Cut the outer jacket at the mark with a tool recommended by the cable manufacturer. Make sure not to damage the cable armor.



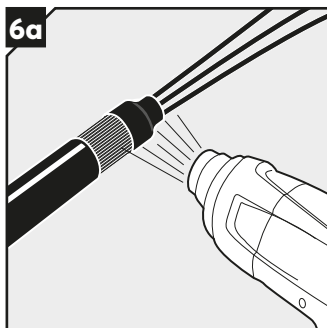
3 Mark where the armor is to be cut. The remaining armor shall accommodate both the braid of the module and the piece of shrink tube according to step 7a or 7b.



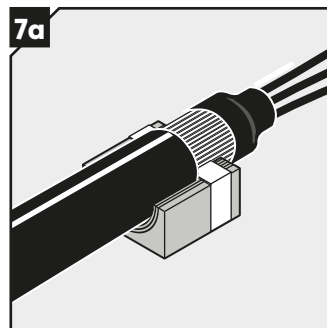
4 Cut the armor at the mark with a tool recommended by the cable manufacturer. Make sure not to damage the cables.



5a Cover the end of the armor with a piece of shrink tube.

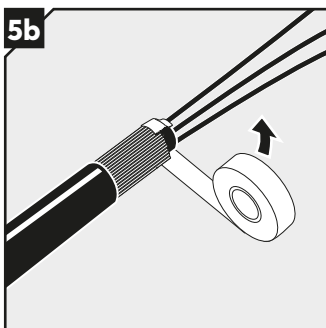


6a Use a hot air gun to shrink the tube.

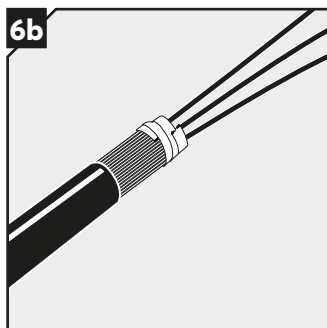


7a Make sure that the shrink tube is completely outside the module.

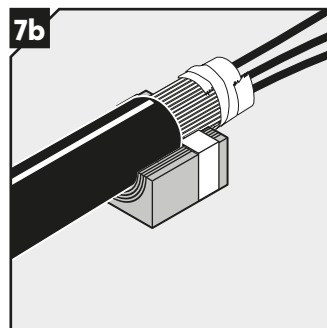
Alternative



5b Secure the end of the armor with tape.



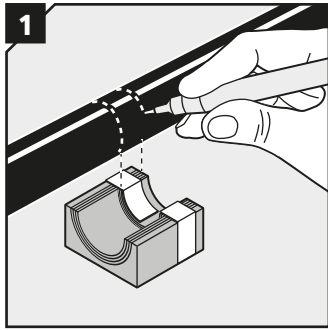
6b Use a hot air gun to shrink the tube.



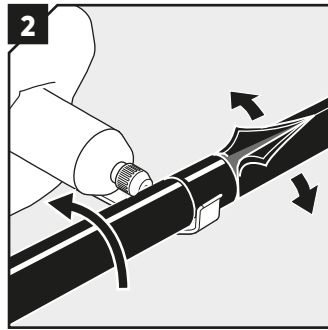
7b Make sure that the tape is completely outside the module.

Preparation of braided cable alternative 1

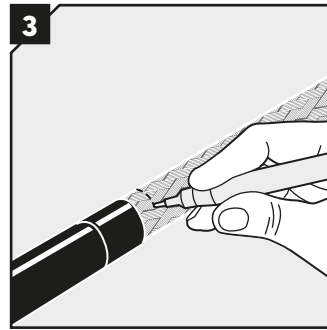
Finishing the end of cable armor with piece of cable jacket.



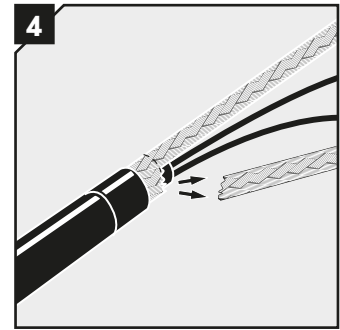
On the cable, make two marks where outer jacket is to be cut.



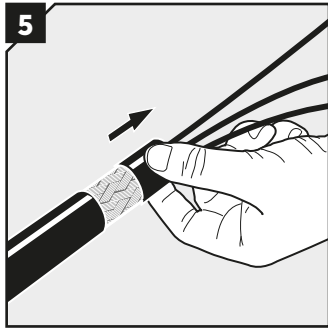
Cut the outer jacket at the two marks with a tool recommended by the cable manufacturer. Make sure not to damage the cable braid. Remove excess jacket.



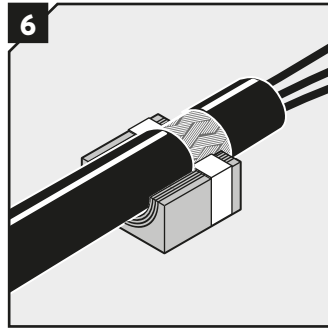
Mark where the cable braid is to be cut. The remaining cable braid shall accommodate both the braid of the module and the piece of cable jacket according to step 6.



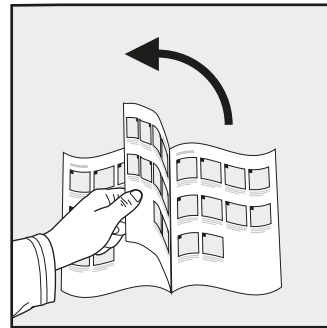
Cut the braid at the mark with a tool recommended by the cable manufacturer. Make sure not to damage the cables.



Pull the piece of cable jacket away to cover the end of the cable braid. The exposed cable braid shall accommodate both the braid and the remaining rubber of the module.



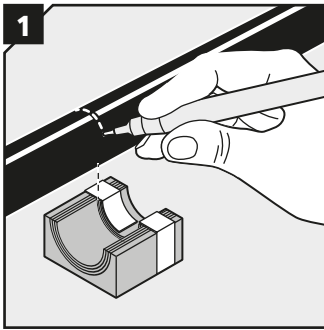
Make sure that the piece of cable jacket is completely outside the module.



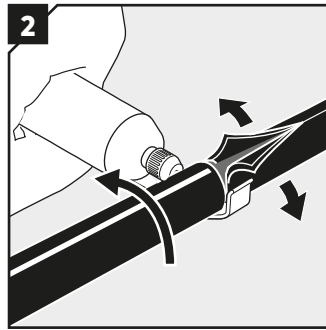
See next page for alternative 2.

Preparation of braided cable alternative 2

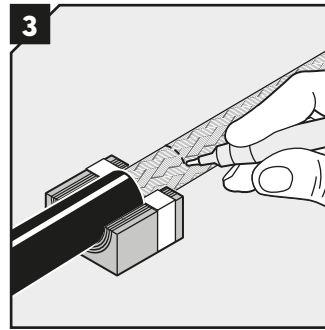
Finishing the end of cable braid with shrink tube or tape.



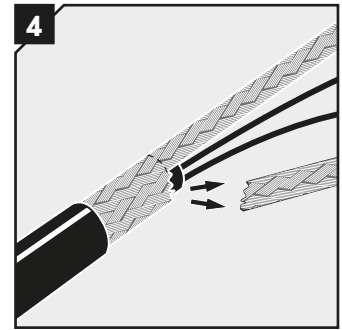
On the cable, mark where outer jacket is to be cut.



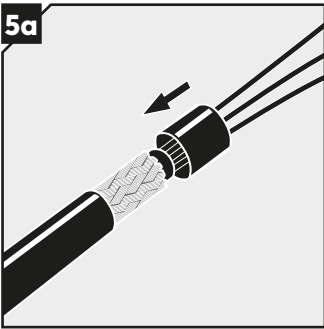
Cut the outer jacket at the mark with a tool recommended by the cable manufacturer. Make sure not to damage the cable braid.



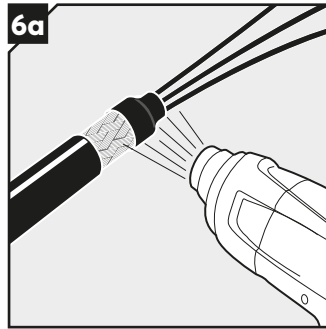
Mark where the braid is to be cut. The remaining cable braid shall accommodate both the braid of the module and the piece of shrink tube according to step 7a or 7b.



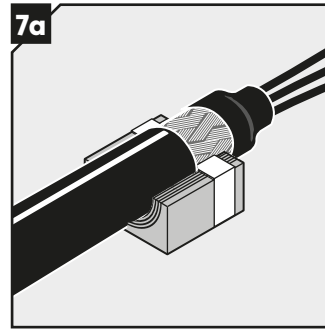
Cut the cable braid at the mark with a tool recommended by the cable manufacturer. Make sure not to damage the cables.



Cover the end of the cable braid with a piece of shrink tube.

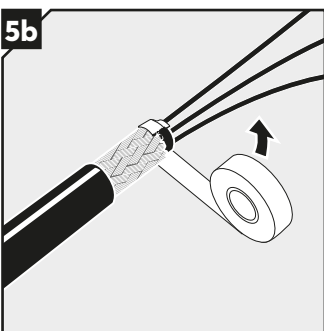


Use a hot air gun to shrink the tube.

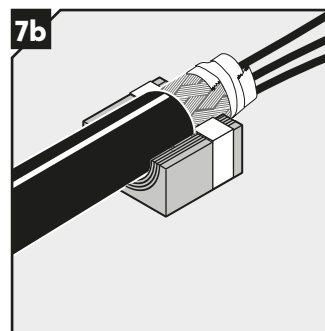
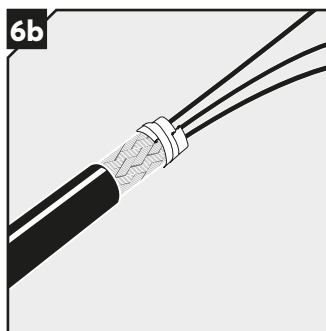


Make sure that the shrink tube is completely outside the module.

Alternative



Secure the end of the cable braid with tape.



Make sure that the tape is completely outside the module.

Note

- Anti-short bushing is not supplied by Roxtec.
- Approvals or certificates may include amendments or limitations related to this application.
- The latest version of this and related documents are found at roxtec.com.

DISCLAIMER

"The Roxtec cable entry sealing system ("the Roxtec system") is a modular-based system of sealing products consisting of different components. Each and every one of the components is necessary for the best performance of the Roxtec system. The Roxtec system has been certified to resist a number of different hazards. Any such certification, and the ability of the Roxtec system to resist such hazards, is dependent on all components that are installed as a part of the Roxtec system. Thus, the certification is not valid and does not apply unless all components installed as part of the Roxtec system are manufactured by or under license from Roxtec ("authorized manufacturer"). Roxtec gives no performance guarantee with respect to the Roxtec system, unless (I) all components installed as part of the Roxtec system are manufactured by an authorized manufacturer and (II) the purchaser is in compliance with (a), and (b), below.

(a) During storage, the Roxtec system or part thereof, shall be kept indoors in its original packaging at room temperature.

(b) Installation shall be carried out in accordance with Roxtec installation instructions in effect from time to time.

The product information provided by Roxtec does not release the purchaser of the Roxtec system, or part thereof, from the obligation to independently determine the suitability of the products for the intended process, installation and/or use.

Roxtec gives no guarantee for the Roxtec system or any part thereof and assumes no liability for any loss or damage whatsoever, whether direct, indirect, consequential, loss of profit or otherwise, occurred or caused by the Roxtec systems or installations containing components not manufactured by an authorized manufacturer and/or occurred or caused by the use of the Roxtec system in a manner or for an application other than for which the Roxtec system was designed or intended.

Roxtec expressly excludes any implied warranties of merchantability and fitness for a particular purpose and all other express or implied representations and warranties provided by statute or common law. User determines suitability of the Roxtec system for intended use and assumes all risk and liability in connection therewith. In no event shall Roxtec be liable for indirect, consequential, punitive, special, exemplary or incidental damages or losses.*



Roxtec International AB, Box 540
371 23 Karlskrona, Sweden
+46 455 36 67 00, www.roxtec.com