

Explosion proof LED helideck touchdown/positioning light panel

CAP437 explosion proof LED helideck touchdown/positioning light panel used in conjunction with a control panel and the the touchdown/positioning marking (Circle). Long life LEDs and light weight design, which is suitable for direct mounting on the helideck due to the low profile (<25mm), makes the product ideal for the environmental conditions as well as easy installation.



Key features

- Panel used for helideck touchdown/positioning system; 'circle'
- Suitable for Zone 1 and 2 areas with gas explosion hazard
- Low profile design (<25mm) allows direct mounting on helideck
- Offshore resistant, fully sealed, high quality marine plastic materials
- Semi-flex construction to allow for deck distortions and improved impact resistance
- Stainless steel mounting brackets to prevent corrosion problems, and integrated cable connection
- State of the art high power LEDs and technology provide superior life and reliability
- Fully offshore trialled to meet the operational and environmental requirements

Standards/Certification

- Certified to CAA-UK CAP 437; Offshore helicopter landing areas - Guidance on standards, December 2016, chapter 4 and appendix C
- Complies with ICAO Annex 14, Volume I, Appendix I, November 2016, Figure A1-1 - Colours for aeronautical ground lights
- ABS Certificate of Design Assessment - Orga CAP437 TD/PM Circle-H System - 15-LD1264711-PDA
- DEKRA 11ATEX0186; ATEX II 2 G Ex e mb [ib] IIC T6 Gb
- EN 60079-0, EN 60079-7, EN 60079-11 and EN 60079-18
- IECEx DEK 11.0072; Ex e mb [ib] IIC T6 Gb
- IEC 60079-0, IEC 60079-7, IEC 60079-11 and IEC 60079-18
- ABNT NBR IEC 60079-0, ABNT NBR IEC 60079-7, ABNT NBR IEC 60079-11 and ABNT NBR IEC 60079-18
- Inmetro NCC 17.0029

Performance characteristics

- Steady burning; yellow
- Effective intensity: 0-10° max. 60cd; 10-20° max. 45cd and 20-90° max. 15cd
- Horizontal beam coverage: 2x160°
- Vertical beam profile: in compliance with above mentioned CAA requirements
- Colour chromaticity within the boundaries as specified by ICAO

Electrical characteristics

- Operating voltage: Low (10-15V) DC input from Orga control panel
- Power consumption: 1.5W average
- Connection details: Orga custom offshore

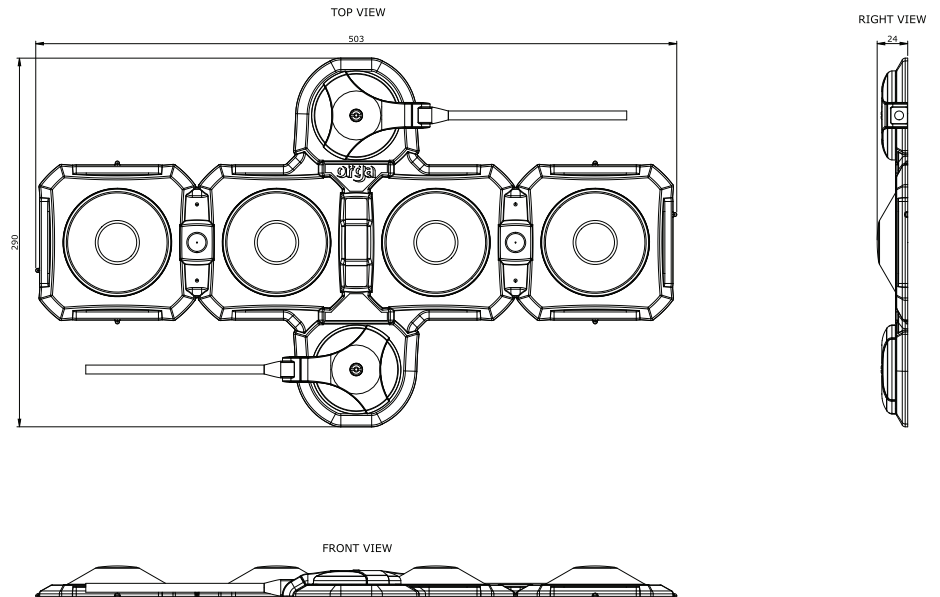
Physical characteristics

- Dimensions (L x W x H): 503 x 290 x 24mm
- Weight: 0.8kg
- Degree of protection: IP66, IP67 and IP69
- Operating temperature range: -25°C to +55°C

System design, control and monitoring

- Fault monitoring with fail indication via separate system control and monitoring box (see separate data sheet)
- Custom designed cables with vulcanized cable termination protection and captive connection screws; multiple lengths to allow for all configurations

Explosion proof LED helideck touchdown/positioning light panel



Orga BV
Strickledeweg 13
3125 AT SCHIEDAM
The Netherlands

P.O. Box 3046
3101 EA SCHIEDAM
The Netherlands

T +31 (0)10 208 5555
F +31 (0)10 437 8445
info@orga.nl
www.orga.nl